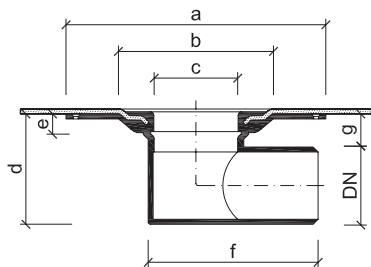
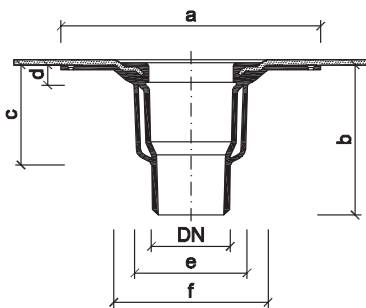


Roof outlets TOPWET TW

BASIC INFORMATION

purpose	drainage of flat roofs, terraces and balconies
material	outlet body – polyamide PA6, protective basket – polyamide PA6
integrated connection sleeve	BIT – modified bitumen strip SBS, PVC – mPVC based foil, TPO – thermoplastic (flexible) polyolefin, EPDM – synthetic rubber foil, PE – polyethylene foil, STE – a sleeve for connecting of waterproofing screed
colour	orange
load category	H 1,5
certification	EN 1253-2:2015 - Gullies for buildings - Part 2: Roof drains and floor gullies without trap
manufacturer	TOPWET s.r.o., náměstí Viléma Mrštíka 62, 664 81 Ostrovačice, Czech Republic
documents (name, number, date, issued by – name and address)	document dated 29 November 2012 issued by TÜV Rheinland LGA Products GmbH, Dreikronenstraße 31, 97082 Würzburg

TECHNICAL PARAMETERS



Vertical outlet

Type	DN	Dimensions [mm]					
		a	b	c	d	e	f
TW 75 S	70	330	210	145	25	160	200
TW 110 S	100	330	210	135	25	160	200
TW 125 S	125	330	210	135	25	160	200
TW 160 S	150	342	210	135	25	190	265

Horizontal outlet

Type	DN	Dimensions [mm]						
		a	b	c	d	e	f	g
TW 75 V	70	330	200	130	121	36	224	46
TW 110 V	100	330	200	130	157	25	238	47
TW 125 V	125	330	200	130	165	25	239	40