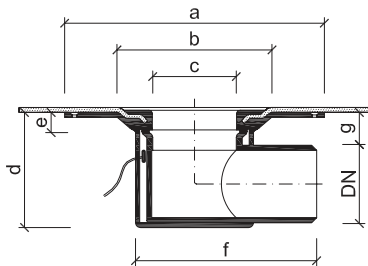
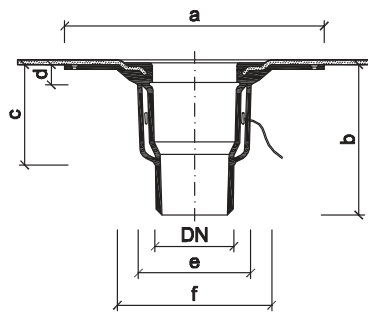


### Heated roof outlets TOPWET TWE

#### BASIC INFORMATION

purpose	drainage of flat roofs, terraces and balconies with electric heating
material	outlet body – polyamide PA6, protective basket – polyamide PA6
integrated connection sleeve	BIT – modified bitumen strip SBS, PVC – mPVC based foil, TPO – thermoplastic (flexible) polyolefin, EPDM – synthetic rubber foil, PE – polyethylene foil, STE – a sleeve for connecting of waterproofing screed
colour	orange
load category	H 1,5
certification	EN 1253-2:2015 - Gullies for buildings - Part 2: Roof drains and floor gullies without trap
manufacturer	TOPWET s.r.o., náměstí Viléma Mrštíka 62, 664 81 Ostrovačice, Czech Republic
documents (name, number, date, issued by – name and address)	document dated 29 November 2012 issued by TÜV Rheinland LGA Products GmbH, Dreikronenstraße 31, 97082 Würzburg

#### TECHNICAL PARAMETERS



#### Vertical heated outlet

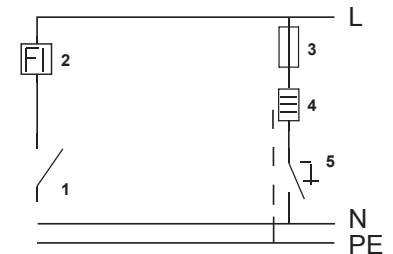
Type	DN	Dimensions [mm]					
		a	b	c	d	e	f
TWE 75 S	70	330	210	145	25	160	200
TWE 110 S	100	330	210	135	25	160	200
TWE 125 S	125	330	210	135	25	160	200
TWE 160 S	150	342	210	135	25	190	265

#### Horizontal heated outlet

Type	DN	Dimensions [mm]						
		a	b	c	d	e	f	g
TWE 75 V	70	330	200	130	121	36	238	46
TWE 110 V	100	330	200	130	157	25	250	47
TWE 125 V	125	330	200	130	165	25	251	40

#### HEATING PARAMETERS

- Connection is made in the electrical box under the roof structure
- The supply cable length for the outlet is 1.5 m (cable CYKY 3×1,5 mm)
- Wiring connection: yellow and green – guard black – phase, blue – neutral
- Alternating voltage: 230 V, 50 Hz
- Input: variable, according to the ambient ambient temperature, approx: 10 W at 20°C / 14 W at 0°C / 18 W at -20°C
- Max. current surge: 400 mA
- Enclosure rating: IP 67



- 1 – main switch
- 2 – current protection
- 3 – circuit breaker
- 4 – roof outlet
- 5 – thermostat or switch
- L – phase (black)
- N – neutral (blue)
- PE – guard (green and yellow)