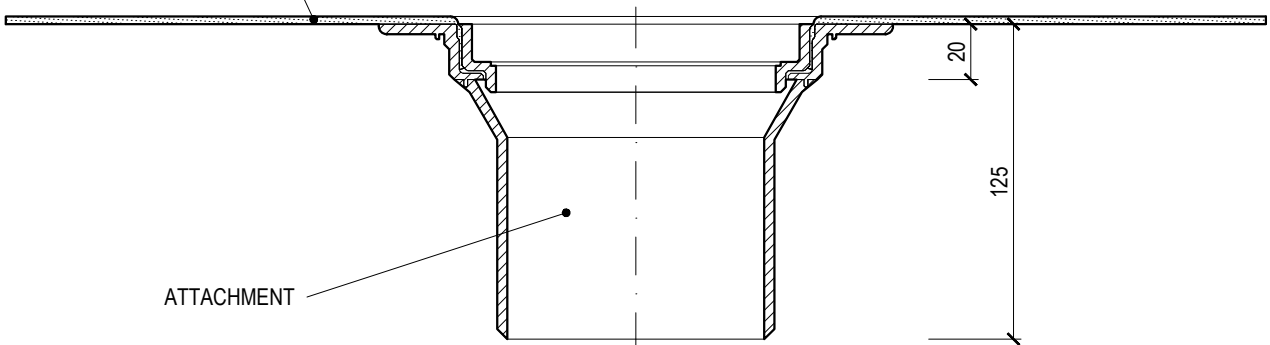
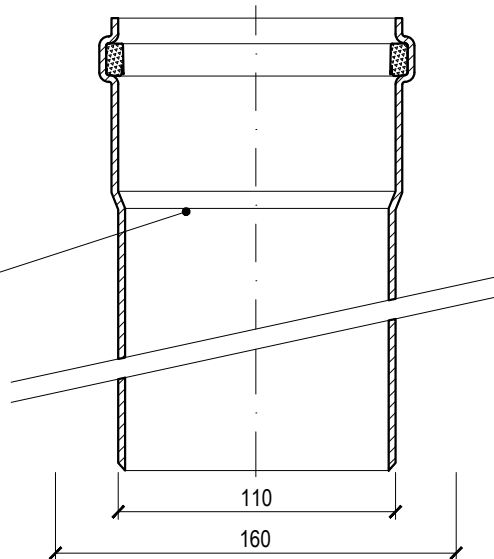


SLEEVE FOR CONNECTION  
TO HYDRO-INSULATION



PIPE



Name **ATTACHMENT FOR TERRACE OUTLETS**

Type **TWTN v300 PVC**

Weight 0,89 kg

Code 212210300

Material POLYAMIDE

Scale 1:3

**TOPWET**

SYSTEMS FOR DRAINAGE  
OF FLAT ROOFS

info@topwet.cz

www.topwet.cz