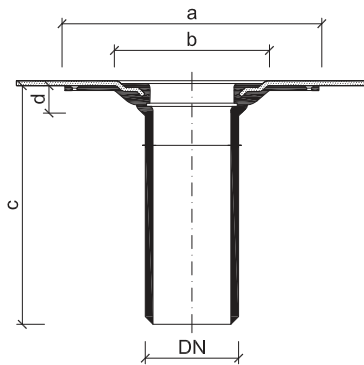


Attachments for heat insulation for roof outlets TOPWET TWN

BASIC INFORMATION

purpose	drainage of flat roofs, terraces and balconies
material	outlet body – polyamide PA6, protective basket – polyamide PA6
integrated connection sleeve	BIT – modified bitumen strip SBS, PVC – mPVC based foil, TPO – thermoplastic (flexible) polyolefin, EPDM – synthetic rubber foil, PE – polyethylene foil, STE – a sleeve for connecting of waterproofing screed
colour	orange
load category	H 1,5
certification	EN 1253-2:2015 - Gullies for buildings - Part 2: Roof drains and floor gullies without trap
manufacturer	TOPWET s.r.o., náměstí Viléma Mrštíka 62, 664 81 Ostrovačice, Czech Republic
documents (name, number, date, issued by – name and address)	document dated 29 November 2012 issued by TÜV Rheinland LGA Products GmbH, Dreikronenstraße 31, 97082 Würzburg

TECHNICAL PARAMETERS



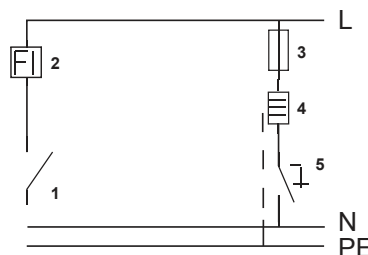
Attachments for heat insulation for roof outlets TOPWET

Type	For outlets TW / TWE	Dimensions [mm]				For the height of heat insulation
		a	b	c	d	
TWN v220	75, 110, 125	330	200	290	40	40–220
TWN v300	75, 110, 125	330	200	370	40	40–300
TWN v500	75, 110, 125	330	200	540	40	40–500
TWNE v500	75, 110, 125	330	200	540	100	100–500
TWN v300 XL	160	342	265	330	120	120–300
TWN v500 XL	160	342	265	540	120	120–500
TWNE v500 XL	160	342	265	540	120	120–500

Outlet attachments can be made and supplied in a heated version.

HEATING PARAMETERS

- Connection is made in the electrical box under the roof structure
- The supply cable length for the outlet is 1,5 m (kabel CYKY 3x1,5 mm)
- Wiring connection: yellow and green – guard black – phase, blue – neutral
- Alternating voltage: 230 V, 50 Hz
- Input: variable, according to the ambient temperature, approx: 10 W at 20°C / 14 W at 0°C / 18 W at -20°C
- Max. current surge: 400 mA
- Enclosure rating: IP 67



- 1 – main switch
- 2 – current protection
- 3 – circuit breaker
- 4 – roof outlet
- 5 – thermostat or switch
- L – phase (black)
- N – neutral (blue)
- PE – guard (green and yellow)