

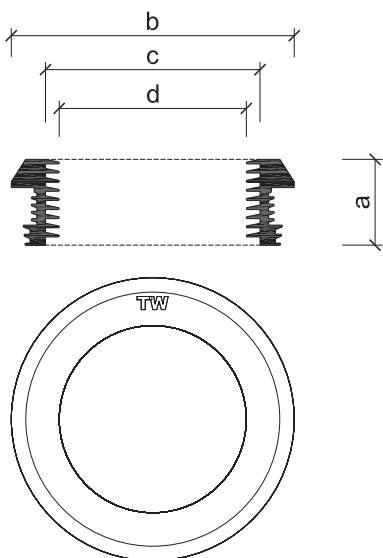


Two-stage refurbishment seal TOPWET TWN SAN TES

BASIC INFORMATION

purpose	seal for connecting the second stage of the drain during reconstructions
material	EPDM
colour	black
manufacturer	TOPWET s.r.o., náměstí Viléma Mrštíka 62, 664 81 Ostrovačice, Czech Republic
description	The seal is used for watertight connection of the second stage drain when using roof TW, single-walled TWJ or remediation TW SAN outlets. This seal makes the joint watertight without reducing the inner diameter of the drain or the drainage capacity. Second level of the drain is always DN 100, regardless of the outlet diameter connected to the existing outlet.

TECHNICAL PARAMETERS



Two-stage refurbishment seal

Type	Dimensions [mm]			
	a	b	c	d
TWN SAN TES	47	155	118	103

