

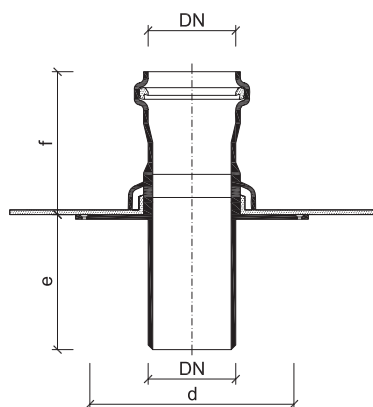


Base plate TOPWET TWOD

BASIC INFORMATION

purpose	airtight entry through the vapour barrier for connecting of TWOP vents and TWP electric and other cable entries
integrated connection sleeve	BIT – modified bitumen strip SBS, PVC – mPVC based foil, TPO – thermoplastic (flexible) polyolefin, EPDM – synthetic rubber foil, PE – polyethylene foil, STE – a sleeve for connecting of waterproofing screed
colour	grey
manufacturer	TOPWET s.r.o., náměstí Viléma Mrštíka 62, 664 81 Ostrovačice, Czech Republic

TECHNICAL PARAMETERS



Base plate

Type	DN	Cross section [cm ²]	Dimensions [mm]		
			d	e*	f*
TWOD 50	50	15	250	200	90
TWOD 75	70	37	250	200	90
TWOD 110	100	85	250	200	100
TWOD 125	125	111	250	200	100

* upon order it is possible to extend up to 2,000 mm