

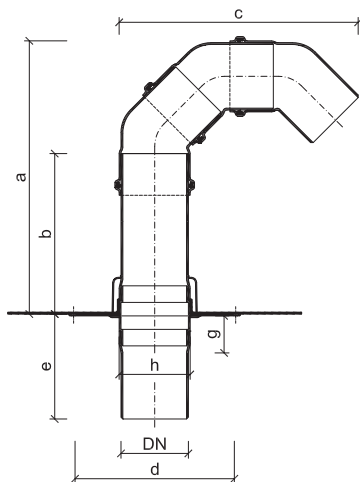


Cable entries TOPWET TWP

BASIC INFORMATION

purpose	application of entries for electric and other cables
integrated connection sleeve	BIT – modified bitumen strip SBS, PVC – mPVC based foil, TPO – thermoplastic (flexible) polyolefin, EPDM – synthetic rubber foil, PE – polyethylene foil, STE – a sleeve for connecting of waterproofing screed
colour	white, black
požární odolnost	Hot loop testing pursuant to IEC 60 695-2-11: 960 °C, UL Subject 94 V-2, inflammable with difficulties, self-extinguishing. Resistance was tested in Elektrotechnický zkušební ústav, s.p. in Prague, record No 402 891 – 01/01.
manufacturer	TOPWET s.r.o., náměstí Viléma Mrštíka 62, 664 81 Ostrovačice, Czech Republic

TECHNICAL PARAMETERS



Cable entries

Type	DN	Cross section [cm ²]	Dimensions [mm]						
			a*	b*	c	d	e*	g	h
TWP 50	50	15	450	332	260	250	200	60	56
TWP 75	70	37	480	332	310	250	200	60	81
TWP 110	100	85	520	332	400	250	200	60	116
TWP 125	125	111	545	332	440	250	200	60	131

* upon order it is possible to extend up to 2,000 mm